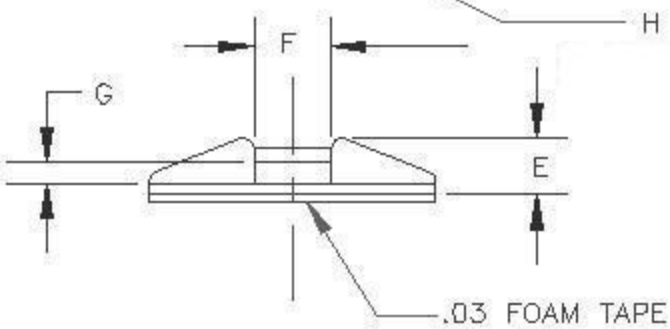
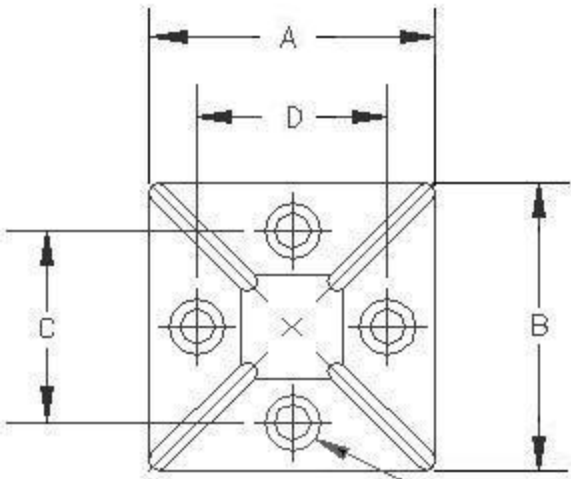


4-WAY CABLE TIE MOUNT W/WO ADHESIVE



H (4-PLACES)

INCH
(MM)

MODEL NUMBER	A	B	C	D	E	F	G	H	ADHESIVE TYPE STATIC FORCE lbs./g
SMLH	1.50 (38.1)	1.50 (38.1)	1.00 (25.4)	1.00 (25.4)	.30 (7.6)	.40 (10.2)	.11 (2.8)	8-32 FL.HD.	
SMLS	1.50 (38.1)	1.50 (38.1)	1.00 (25.4)	1.00 (25.4)	.30 (7.6)	.25 (6.4)	.11 (2.8)	8-32 FL.HD.	
ABMLH	1.50 (38.1)	1.50 (38.1)	1.00 (25.4)	1.00 (25.4)	.30 (7.6)	.40 (10.2)	.11 (2.8)	8-32 FL.HD.	RUBBER 1.12/(508)
ABMLS	1.50 (38.1)	1.50 (38.1)	1.00 (25.4)	1.00 (25.4)	.30 (7.6)	.25 (6.4)	.11 (2.8)	8-32 FL.HD.	RUBBER 1.12/(508)

CUSTOMER DRAWING



ALL-STATES INC.

1801 W. Foster Ave. Chicago, IL 60640

CABLE TIE MOUNT 1.5" X 1.5"

UNLESS OTHERWISE SPECIFIED,
DIMENSIONAL TOLERANCES ARE:
 (XX) +/- (XXX) +/-
 (XX) +/- ANGLES +/-

UNLESS OTHERWISE SPECIFIED
ALL DIMENSIONS ARE GIVEN
IN INCHES AND THIRD ANGLE
PROJECTION.

REV	DATE	BY	CHK	DESCRIPTION	ECN	R	CUST	SUP
1	06-16-08	SB		DRAWING NO. WAS 10000-3				
R	6-04-97	WJB		RELEASED				

DRAWN BY W.J.B.	MATERIAL NATURAL NYLON 6/6
DATE 6-04-97 CHK'D.	

SCALE NONE	DRAWING NO. 20002-C	DWC. A SIZE