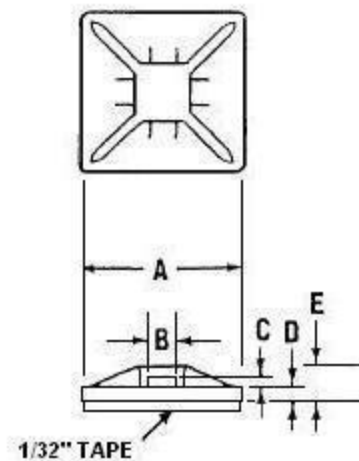
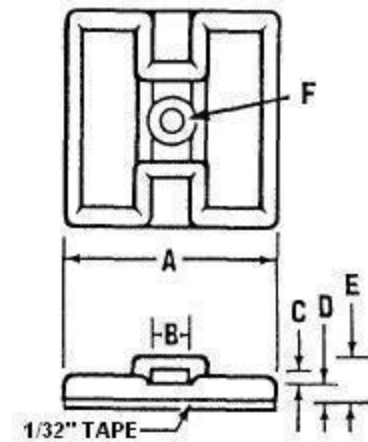


ABM-4 & SM-4



ABMM-4 & BMM-4



ABM-2 & SM-2

ABM TYPES (ADHESIVE BACKED) SM TYPES (SCREW MOUNTED)	INCHES	A	B	C	D	E	F
	M.M.						
ABM-4 SM-4**	INCHES	1.150	0.208	0.062	0.060	0.225	#8
	M.M.	29.2	5.3	1.6	1.5	5.7	4.1
ABMM-4 BMM-4*	INCHES	0.800	0.153	0.065	0.060	0.155	NONE
	M.M.	20.3	3.9	1.7	1.5	3.9	NONE
ABM-2 SM-2**	INCHES	1.100	0.201	0.065	0.130	0.210	#8
	M.M.	27.9	5.1	1.7	3.3	5.3	4.1

*WITHOUT TAPE

** WITH SCREW MOUNTING HOLES
& WITHOUT TAPE

CUSTOMER DRAWING

AS ALL-STATES

1301 W. Foster Ave. Chicago, IL 60640

SCALE:	MATERIAL	DRWN BY:
DATE: 6/12/08	6/6 NYLON OR FIRE RETARDANT NYLON	S.B.
TITLE:	CABLE TIE MOUNTS	APPR. BY: S.B.
FINISH:		
DEC. DIM TOL ±.005 FRACT. DIM TOL ±.015 ANGLE TOL ±1/2	ALL DIMENSIONS IN INCHES	DRAWING NO. 20003-C

ISS.	SYM	ECN	DATE	BY	APP

REVISIONS

USED ON