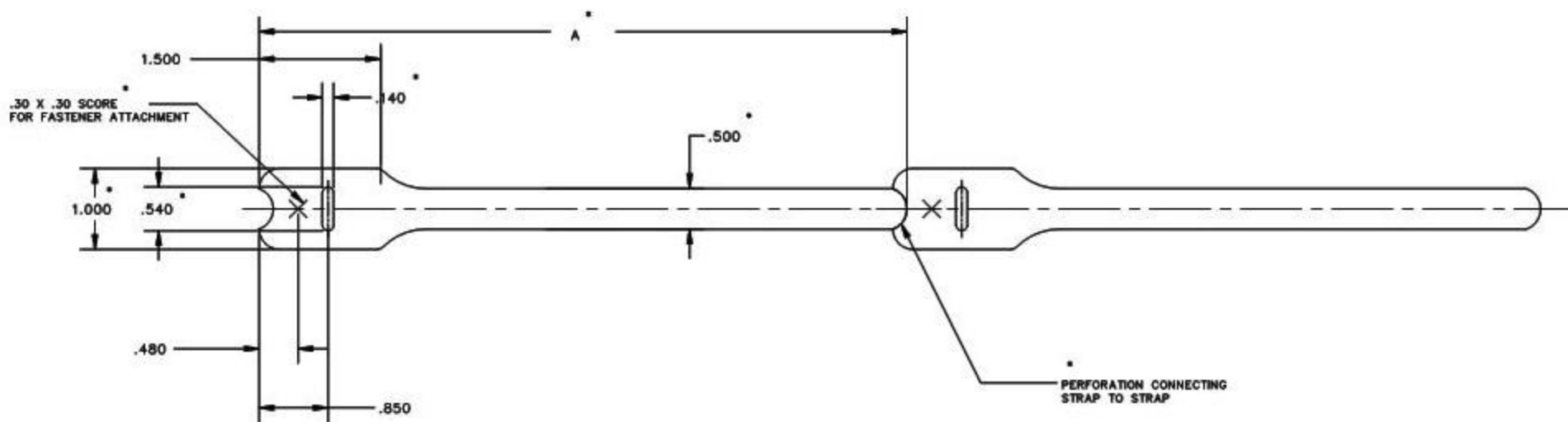


DRAWING NUMBER	COLOR	ALL-STATES PART	STRAP LENGTH "A"	WEIGHT OF 1-STRAP	WEIGHT OF 10-STRAPS
-1	BLACK	VTL-508	8"	2.1 GRAMS	21 GRAMS
-2	RED				
-3	ORANGE				
-4	YELLOW				
-5	GREEN				
-6	BLUE				
-7	VIOLET				
-8	GRAY				
-9	WHITE				
-10	TAN				
-20	BLACK	VTL-512	12"	3.0 GRAMS	30 GRAMS
-21	RED				
-22	ORANGE				
-23	YELLOW				
-24	GREEN				
-25	BLUE				
-26	VIOLET				
-27	GRAY				
-28	WHITE				
-29	TAN				



Q.C. TO INSPECT ALL ITEMS MARKED WITH AN ASTERISK (\*)

FILE- 100K AND LOOP 1E-04

ALL-STATES

VELCRO TIE--VTL SERIES

UNLESS OTHERWISE SPECIFIED,  
DIMENSIONAL TOLERANCES ARE:  
Ø ±.015  
HOLE ±.015  
ANGLES ±.5°

UNLESS OTHERWISE SPECIFIED,  
ALL DIMENSIONS ARE GIVEN  
IN DECIMALS AND THIS ANGLE  
PREDOMINATES.

DRAWN BY  
WJS  
DATE  
7-29-88  
DWG.

MATERIAL

SCALE  
FULL

DRAWING NO.  
70001-C

DWG.  
C

REV	DATE	BY	CHK	DESCRIPTION	EDN	EST	SIP
1	7-7-88	SB		DRAWING NUMBER WAS 10020-1			
R	1-20-88	WJS		RELEASED			