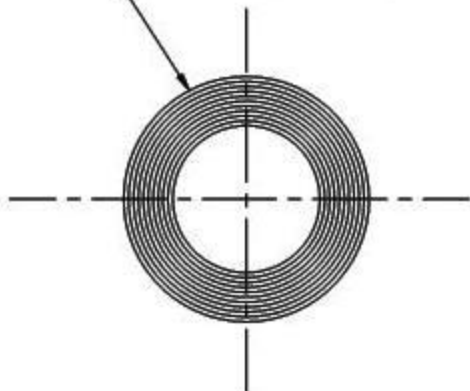
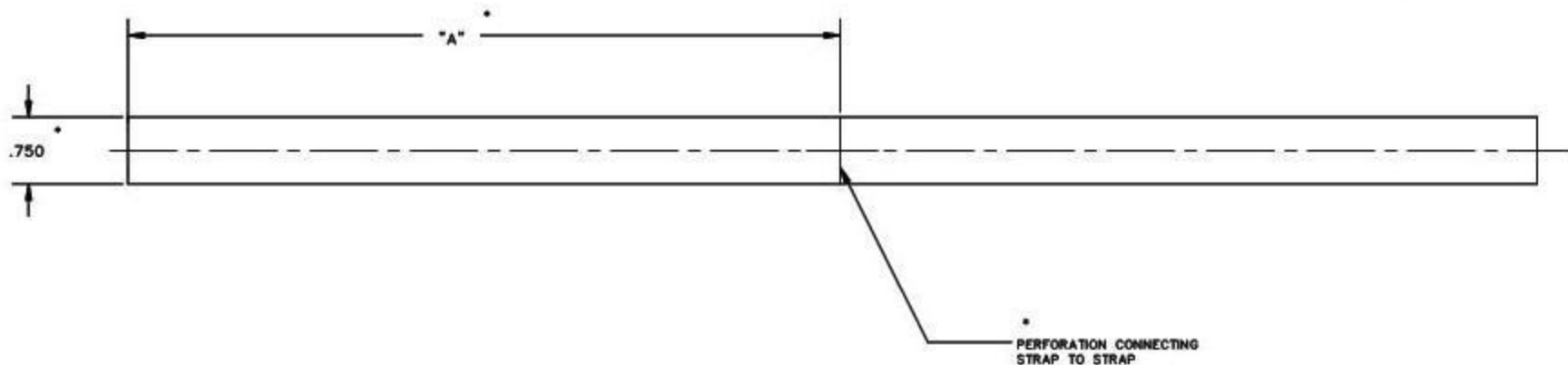


SOFT "LOOP MATERIAL" ON THE OUTSIDE SURFACE.
10 STRAPS CONNECTED BY PERFORATIONS WOUND IN THE SHAPE OF A CIRCLE OR PUCK.




DRAWING NUMBER	ALL-STATES DETAIL PART	STRAP LENGTH "A"	COLOR	WEIGHT OF 1-STRAP	WEIGHT OF 10-STRAPS
-35	300110	6"	BLACK	2.0 GRAMS	20.2 GRAMS
-36	300111	6"	YELLOW	2.0 GRAMS	20.2 GRAMS
-37	300112	6"	BLUE	2.0 GRAMS	20.2 GRAMS
-38	300113	6"	VIOLET	2.0 GRAMS	20.2 GRAMS
-40	300115	6"	ORANGE	2.0 GRAMS	20.2 GRAMS
-42	300117	6"	GREEN	2.0 GRAMS	20.2 GRAMS
-44	300119	6"	WHITE	2.0 GRAMS	20.2 GRAMS
-50	300150	12"	BLACK	4.0 GRAMS	40.2 GRAMS
-51	300151	12"	RED	4.0 GRAMS	40.2 GRAMS
-52	300152	12"	ORANGE	4.0 GRAMS	40.2 GRAMS
-53	300153	12"	BLUE	4.0 GRAMS	40.2 GRAMS
-54	300154	12"	VIOLET	4.0 GRAMS	40.2 GRAMS
-55	300155	12"	WHITE	4.0 GRAMS	40.2 GRAMS
-56	300156	12"	YELLOW	4.0 GRAMS	40.2 GRAMS
-57	300157	12"	GREEN	4.0 GRAMS	40.2 GRAMS
-58	300158	12"	TAN	4.0 GRAMS	40.2 GRAMS
-59	300159	12"	GRAY	4.0 GRAMS	40.2 GRAMS
-60	300170	18"	BLACK	6.1 GRAMS	61 GRAMS
-61	300171	18"	RED	6.1 GRAMS	61 GRAMS
-62	300172	18"	BLUE	6.1 GRAMS	61 GRAMS
-63	300173	18"	VIOLET	6.1 GRAMS	61 GRAMS
-64	300174	18"	GREEN	6.1 GRAMS	61 GRAMS
-65	300175	18"	YELLOW	6.1 GRAMS	61 GRAMS
-66	300176	18"	WHITE	6.1 GRAMS	61 GRAMS



Q.C. TO INSPECT ALL ITEMS MARKED WITH AN ASTERISK (*)

FILE- HOOK AND LOOP STRAP-92.494

 ALL-STATES
VELCRO TIE--VTS SERIES

UNLESS OTHERWISE SPECIFIED,
DIMENSIONAL TOLERANCES ARE:
(X) ±.005 (XXX) ±.010
(XX) ±.002 (XXXX) ±.005

UNLESS OTHERWISE SPECIFIED
ALL DIMENSIONS ARE GIVEN
IN INCHES AND TWO ANGLE
PREDOMINANT.

DRAWN BY
DATE
CHK'D.

MATERIAL

SCALE FULL
DRAWING NO. 70002-C
DWG. C

REV	DATE	BY	CHK	DESCRIPTION
1	7-7-08	SB		DRAWING NUMBER WAS 10020-2
2	1-22-09	SB		RELEASED

REV: SB, CHK: SB, DATE: 1-22-09, FILE: 70002-C, DWG: C