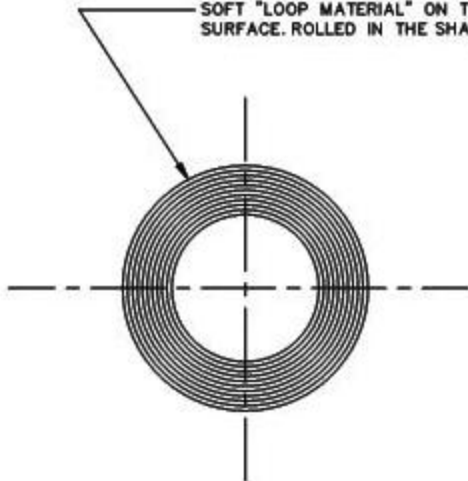
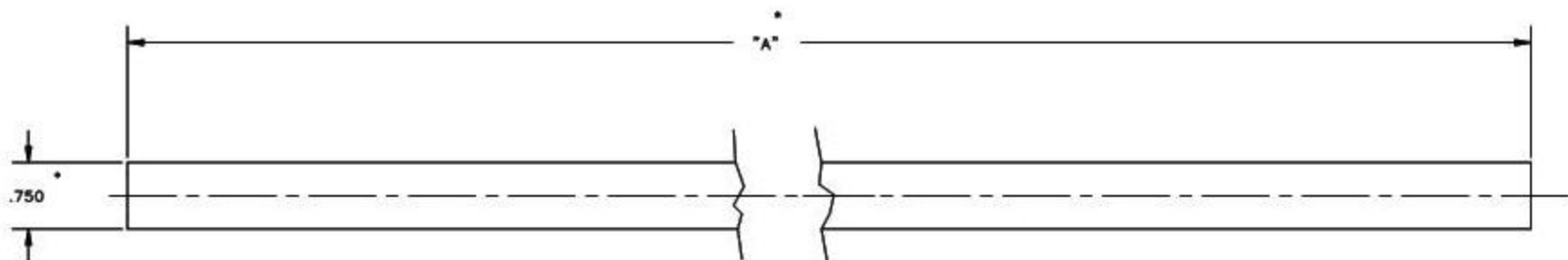


SOFT "LOOP MATERIAL" ON THE OUTSIDE SURFACE. ROLLED IN THE SHAPE OF A CIRCLE OR PUCK.



DRAWING NUMBER	ALL-STATES DETAIL PART	STRAP LENGTH "A"	COLOR	WEIGHT OF ROLL
-100	300000	180"	BLACK	61.0 GRAMS
-101	300001	180"	RED	61.0 GRAMS
-102	300003	180"	ORANGE	61.0 GRAMS
-103	300002	180"	YELLOW	61.0 GRAMS
-104	300004	180"	GREEN	61.0 GRAMS
-105	300005	180"	BLUE	61.0 GRAMS
-106	300006	180"	VIOLET	61.0 GRAMS
-107	300007	180"	GRAY	61.0 GRAMS
-108	300008	180"	WHITE	61.0 GRAMS



Q.C. TO INSPECT ALL ITEMS MARKED WITH AN ASTERISK (\*)

FILE- Hook and Loop Cut to Length.dwg

ALL-STATES

VELCRO TIE--VTR SERIES

UNLESS OTHERWISE SPECIFIED,  
DIMENSIONS UNLESS NOTED ARE:  
(D) +/- .005 (DIA) +/- .010  
(R) +/- .005 (RADIUS) +/- .010

UNLESS OTHERWISE SPECIFIED  
ALL DIMENSIONS ARE GIVEN  
IN INCHES AND THIRD ANGLE  
PRACTICE.

SCALE BY W/R DATE 2-11-88

SCALE FULL DRAWING NO. 70003-C DWG. NO. C

REV	DATE	BY	CHK	RELEASED	DESCRIPTION	EDN	EST	SUP
1	7/7/08	SB			DRAWING NUMBER WAS 10020-4			
R	2-11-88	W/R			RELEASED			